

PART No.	Efficiency (0.3 Micron)	"H" Dim.	"W" Dim.	"D" Dim.	CFM	Initial Performance ("W.G. Rated)
41902	99.97%	23-3/8	11-3/8	11-1/2	500	0.86
41901	99.97%	23-3/8	23-3/8	11-1/2	1000	0.86
41900	99.97%	24	12	11-1/2	500	0.86
41638	99.97%	24	24	11-1/2	1000	0.86
41904	99.99%	23-3/8	11-3/8	11-1/2	500	0.86
41903	99.99%	23-3/8	23-3/8	11-1/2	1000	0.86
41770	99.99%	24	12	11-1/2	500	0.86
41859	99.99%	24	24	11-1/2	1000	0.86
41902HC	99.97%	23-3/8	11-3/8	11-1/2	1000	1.25
41901HC	99.97%	23-3/8	23-3/8	11-1/2	2000	1.25
41900HC	99.97%	24	12	11-1/2	1000	1.25
41638HC	99.97%	24	24	11-1/2	2000	1.25
41904HC	99.99%	23-3/8	11-3/8	11-1/2	1000	1.25
41903HC	99.99%	23-3/8	23-3/8	11-1/2	2000	1.25
41770HC	99.99%	24	12	11-1/2	1000	1.25
41859HC	99.99%	24	24	11-1/2	2000	1.25

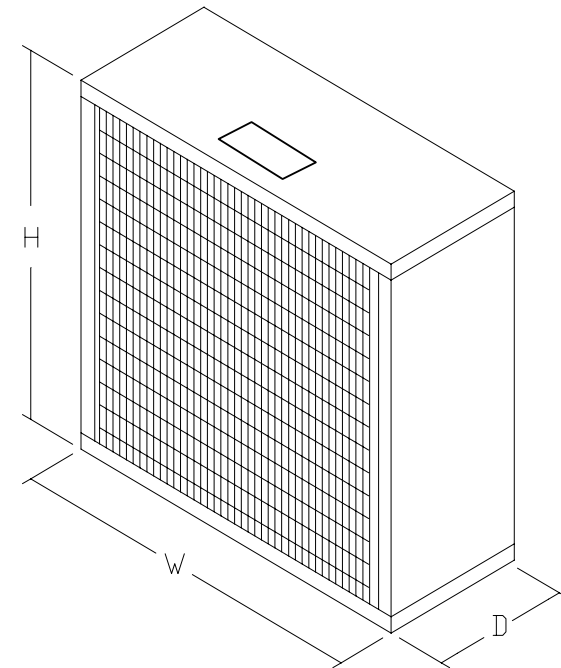
Characteristics	HEPA M-SERIES FILTER
Filter Media	Micro-Glass Fiber: 5" Pack for Standard Capacity, 8.5" High Capacity
Pleat Separator	Hot Melt Separators.
Frame Material	Galvanized Steel Frame.
Sealant Material	Two part Polyurethane.
Efficiency HEPA	99.97%, and 99.99% Minimum efficiency on 0.3 Micron Particles.
Nominal Size	(Size) - (5/8"), Please, specify NOMINAL or EXACT.
Gasket	PORON gasket on the downstream face with Ball-in-Socket Corners. Joints sealed with flexible sealant
UL Rating	All M-HEPA's are UL900 Class II
Labeling	M-HEPA filters are labeled with their part number, efficiency, rated initial resistance, and a traceable serial number.

YOUR APPROVAL OF THIS PRINT AUTHORIZES FILTRATION GROUP, INC. TO PROCEED WITH MATERIAL PROCUREMENT, TOOLING AND PRODUCT FABRICATION. ANY CHANGES MADE AFTER APPROVAL MAY INCUR FURTHER EXPENSES TO THE CUSTOMER.

For Sales Only

Customer Information: \_\_\_\_\_

Item Number: \_\_\_\_\_



Dimensions are in inches, unless otherwise specified.  
Dimensions are as in Table. No specials on M-Series, please.

Please Specify Part Number from table. \_\_\_\_\_

Customer Initial and Date \_\_\_\_\_



**Filtration Group, Inc.**  
**912 East Washington Street**  
**Joliet, Illinois 60433**

**HEPA M-SERIES**

DR:	BAP	Date:	8/6/2006	Drawing Number:	SD-HEPA-M Series	Revision:	B
CK:		Date:					