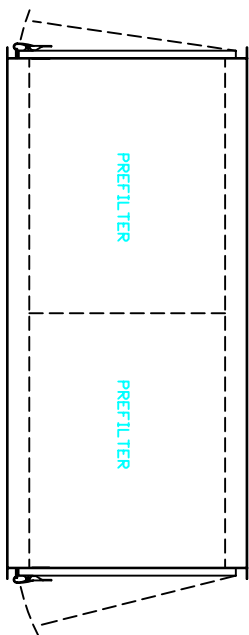


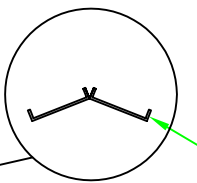
# V-BANK ASHRAE HOUSING SPECIFICATION

- 1.) 16 GAGE GALVANIZED STEEL CONSTRUCTION.
- 2.) FORMED 16 GAGE GALVANIZED FILTER TRACK
- 3.) DOORS SEALED WITH CLOSED CELL NEOPRENE GASKETING.
- 4.) TWO POUND DENSITY URETHANE FOAM INSIDE ACCESS DOORS GASKETS FILTERS.
- 5.) METAL TO METAL COMPONENTS SEALED WITH SILICONE COMPOUND.
- 6.) DOORS FITTED WITH QUICK ACTION, POSITIVE PRESSURE TRIP LOCK LATCHES.

DOORS BOTH SIDES OF HOUSINGS  
OVER TWO WIDE



2" OR 4" PERFORMED GALVANIZED TRACK



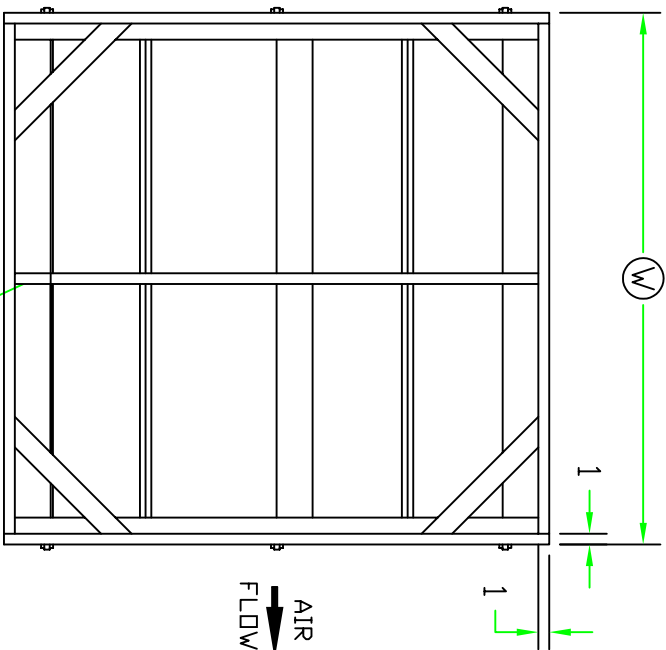
NOTE: STANDARD UNIT IS RIGHT HAND ACCESS

HOUSING CONFIGURATION \_\_\_\_\_ X \_\_\_\_\_

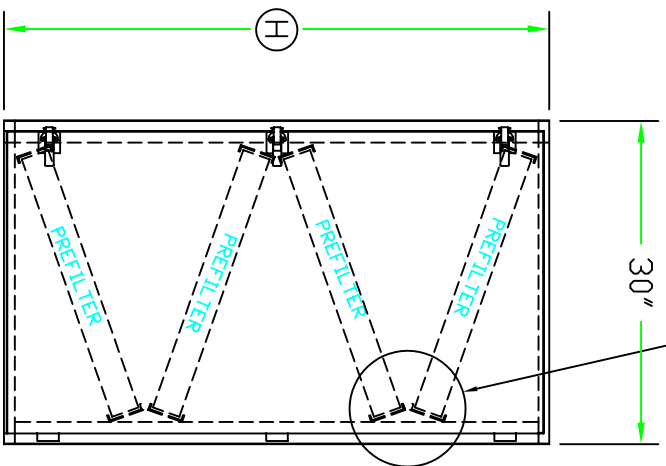
HOUSING DIM: (H) \_\_\_\_\_ (W) \_\_\_\_\_ (D) \_\_\_\_\_

HOUSINGS REQUIRED: \_\_\_\_\_

HEIGHT	DIMENSION "H"	WIDTH	DIMENSION "W"
1/2	14 1/4"	1/2	13 5/8"
1	26 1/4"	1	25 3/4"
1 1/2	38 1/2"	1 1/2	37 1/4"
2	50 1/2"	2	49 1/4"
2 1/2	62 3/4"	2 1/2	60 7/8"
3	74 3/4"	3	72 7/8"
3 1/2	87"	3 1/2	84 5/8"
4	99"	4	96 1/2"
		4 1/2	108 1/8"
		5	120 1/8"
		5 1/2	131 3/4"
		6"	143 3/4"



UPSTREAM SIDE



DOOR VIEW

NOTE: ALL HOUSING DIM ARE EXACT SIZE

THE DESIGN DENIED AND DESCRIBED HEREON EMPLOYS PROPRIETARY INFORMATION AND IS NOT TO BE REPRODUCED, COPIED, OR TRANSMITTED IN ANY FORM OR BY ANY MEANS, ELECTRONIC OR MECHANICAL, INCLUDING PHOTOCOPYING, RECORDING, OR BY ANY INFORMATION STORAGE AND RETRIEVAL SYSTEM. PERMISSION TO REPRODUCE THIS DRAWING IS GRANTED IN WRITING.

UNLESS OTHERWISE SPECIFIED  
REMOVE ALL BURRS AND SHARP EDGES  
\*TOLERANCES: 1/16  
XXX ± .015 1/2 X ± 1/16  
XX ± .03 1/4 X ± 1/32  
DO NOT SCALE  
DRAWINGS

**FILTRATION GROUP**  
912 E. Washington St.  
Joliet, IL 60433  
Ph (815) 726-4600  
Fax (815) 726-8972

REV	DESCRIPTION	DATE	BY	CHKD	SCALE	SHEET
001	ISSUED FOR MANUFACTURE					
002	REVISED					
003	REVISED					
004	REVISED					
005	REVISED					
006	REVISED					
007	REVISED					
008	REVISED					
009	REVISED					
010	REVISED					
011	REVISED					
012	REVISED					
013	REVISED					
014	REVISED					
015	REVISED					
016	REVISED					
017	REVISED					
018	REVISED					
019	REVISED					
020	REVISED					
021	REVISED					
022	REVISED					
023	REVISED					
024	REVISED					
025	REVISED					
026	REVISED					
027	REVISED					
028	REVISED					
029	REVISED					
030	REVISED					
031	REVISED					
032	REVISED					
033	REVISED					
034	REVISED					
035	REVISED					
036	REVISED					
037	REVISED					
038	REVISED					
039	REVISED					
040	REVISED					
041	REVISED					
042	REVISED					
043	REVISED					
044	REVISED					
045	REVISED					
046	REVISED					
047	REVISED					
048	REVISED					
049	REVISED					
050	REVISED					
051	REVISED					
052	REVISED					
053	REVISED					
054	REVISED					
055	REVISED					
056	REVISED					
057	REVISED					
058	REVISED					
059	REVISED					
060	REVISED					
061	REVISED					
062	REVISED					
063	REVISED					
064	REVISED					
065	REVISED					
066	REVISED					
067	REVISED					
068	REVISED					
069	REVISED					
070	REVISED					
071	REVISED					
072	REVISED					
073	REVISED					
074	REVISED					
075	REVISED					
076	REVISED					
077	REVISED					
078	REVISED					
079	REVISED					
080	REVISED					
081	REVISED					
082	REVISED					
083	REVISED					
084	REVISED					
085	REVISED					
086	REVISED					
087	REVISED					
088	REVISED					
089	REVISED					
090	REVISED					
091	REVISED					
092	REVISED					
093	REVISED					
094	REVISED					
095	REVISED					
096	REVISED					
097	REVISED					
098	REVISED					
099	REVISED					
100	REVISED					

4

3

2

1

4

3

2

1