

90-95% ASHRAE Efficiency, 500°F (Face-Grill Upstream and Downstream)

Single Header Part #	Nominal Filter Size (HxWxD)	Actual Dimensions	Rated Air Flow (cfm)			Initial Resistance			Media Area (sq. ft.)
			250 fpm	375 fpm	500 fpm	250 fpm	375 fpm	500 fpm	
19578	24x24x12	23 3/8 x 23 3/8 x 11 1/2	1000	1500	2000	0.25	0.40	0.60	55
19579	24x12x12	23 3/8 x 11 3/8 x 11 1/2	500	750	1000	0.28	0.44	0.66	120

90-95% ASHRAE Efficiency, 750°F (Face-Grill Upstream and Downstream)

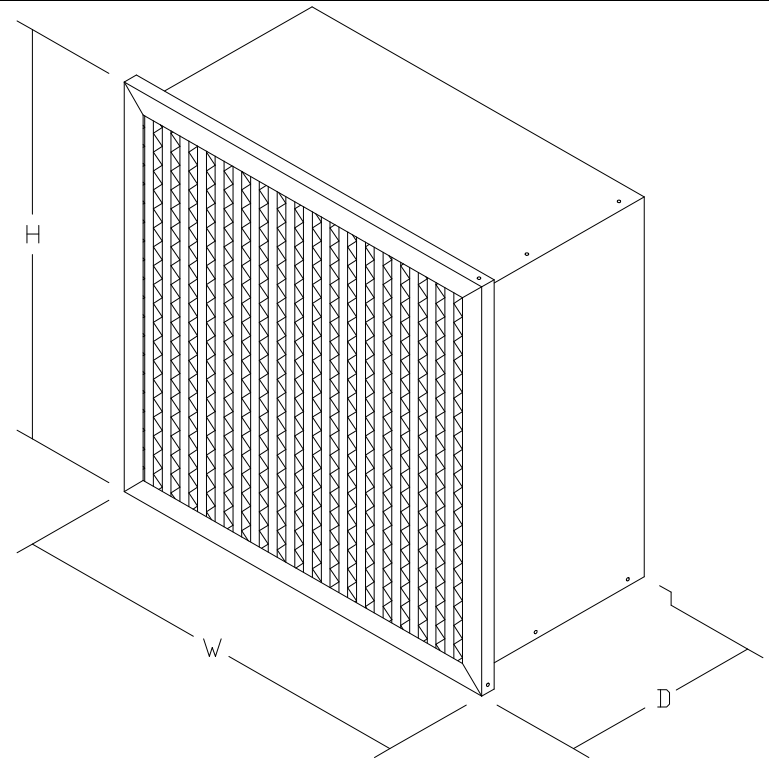
Single Header Part #	Nominal Filter Size (HxWxD)	Actual Dimensions	Rated Air Flow (cfm)			Initial Resistance			Media Area (sq. ft.)
			250 fpm	375 fpm	500 fpm	250 fpm	375 fpm	500 fpm	
19582	24x24x12	23 3/8 x 23 3/8 x 11 1/2	1000	1500	2000	0.30	0.46	0.70	161
19583	24x12x12	23 3/8 x 11 3/8 x 11 1/2	500	750	1000	0.33	0.50	0.77	73

Characteristics	Aerostar ASHRAE HT
Media	Wet laid microfiber glass paper
	<i>*500° F designs are available with a media area of 161sq.ft. (24x24x12) and 73sq.ft. (24x12x12) - Optional</i>
Frames	24 Gauge Galvanised Steel (500°F)
	24 Gauge Aluminized Steel (750°F)
	<i>*Optional - Stainless Steel or Aluminized Steel for 500° F</i>
Face-grill	16 Gauge Aluminized Expanded Steel
Actual Frame Sizes	Height and Width are 5/8" under nominal and Depth is 11.5" for 12" nominal
Sealant Mat	Fiberglass
Gasketing	Woven glass - 1/8" thick by 3/4" wide
Recommended Final Usage	1.2 inch w.g.
Shipping	Palletized is recommended

For Sales Only

Customer Information: _____

Item Number: _____



For Non-Standard Sizes, Please Consult the Factory.

_____ (A) X _____ (H) X 12" (D)

Please Specify Size as Nominal or Exact _____

Customer Initial and Date for Non-Standard Size _____



Filtration Group, Inc.
912 East Washington Street
Joliet, Illinois 60433

ASHRAE Cell - Single Header

High Temperature (500°F or 750°F)

DR:	JMB	Date:	6/5/2001	Drawing Number:	SD-HT-ASHRAE	Revision:	00
CK:		Date:					

YOUR APPROVAL OF THIS PRINT AUTHORIZES FILTRATION GROUP, INC. TO PROCEED WITH MATERIAL PROCUREMENT, TOOLING AND PRODUCT FABRICATION. ANY CHANGES MADE AFTER APPROVAL MAY INCUR FURTHER EXPENSES TO THE CUSTOMER.