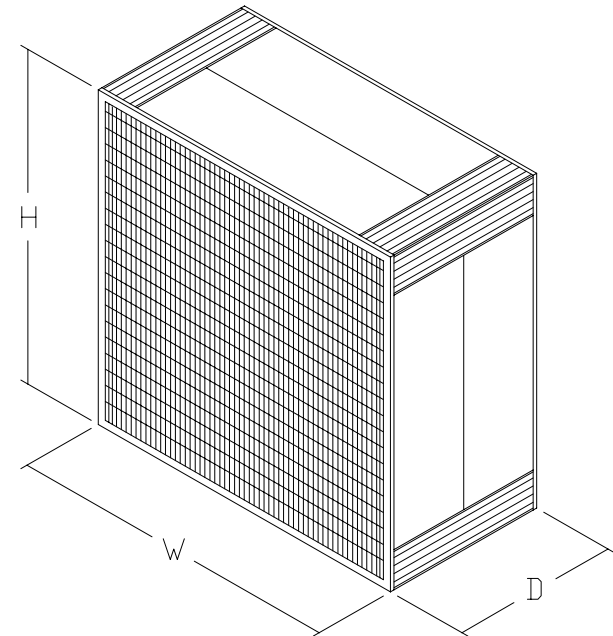


DOP Efficiency @ .3 micron	99.97%		99.99%	
Scanned	NO		YES	
Size	24 x 24	23 3/8 x 23 3/8	24 x 24	23 3/8 x 23 3/8
Part #	41779	41768	41781	41780
Rated Air Flow (cfm)	2000	1890	2000	1890
Media Pack Depth (in)	8	8	8	8
Rated Initial Pressure Drop ("w.g.)	1.45	1.45	1.45	1.45
Recommended Final Pressure Drop ("w.g.)	2.4	2.4	2.4	2.4
Maximum Final Pressure Drop ("w.g.)	3	3	3	3
Maximum Continuous Temperature (°F)	180	180	180	180

For Sales Only

Customer Information: _____

Item Number: _____



Characteristics	Aerostar HIGH VOLUME HEPA
Media	Wet laid microglass
Frames	Anodized Extruded Aluminum Frame
Clips	Extraction Clips Optional
Gasket	Urethane Gel Seal
Separators	Hot Melt Bead
Pack Adhesive	Polyurethane
Actual Filter Dimensions	Made to exact dimensions, please consult customer service

For Non-Standard Sizes, Please Consult the Factory.

_____ (H) X _____ (W) X _____ 11-1/2" (D)

Please Specify Size as Nominal or Exact _____

Customer Initial and Date for Non-Standard Size _____

 **Filtration Group, Inc.**
912 East Washington Street
Joliet, Illinois 60433

HEPA HP Filters
Extruded Aluminum Frame

YOUR APPROVAL OF THIS PRINT AUTHORIZES FILTRATION GROUP, INC. TO PROCEED WITH MATERIAL PROCUREMENT, TOOLING AND PRODUCT FABRICATION. ANY CHANGES MADE AFTER APPROVAL MAY INCUR FURTHER EXPENSES TO THE CUSTOMER.

DR:	BAP	Date:	10/27/2005	Drawing Number:	SD-HEPA-MP-GEL	Revision:	A
CK:		Date:					