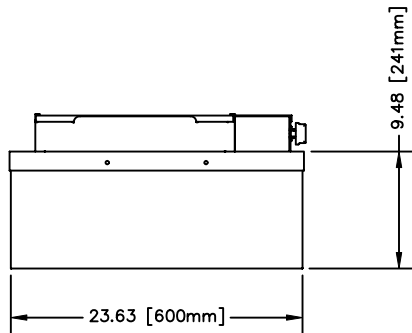
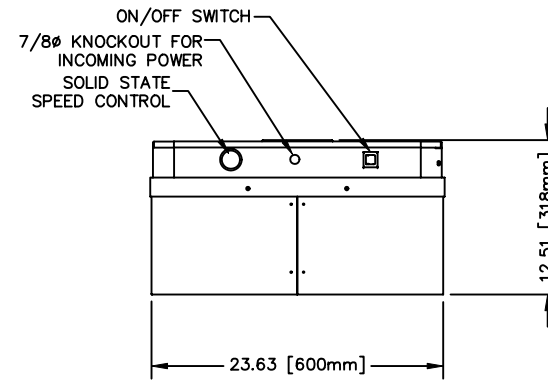
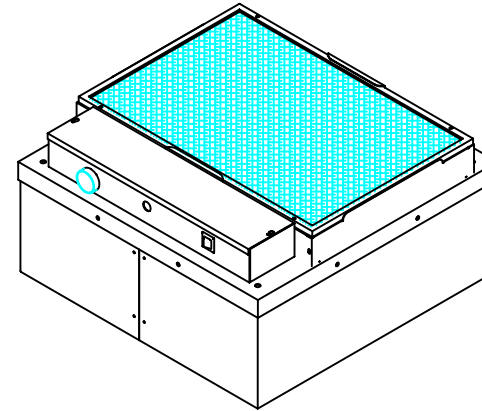


1/4-20 THREADED INSERTS FOR OPTIONAL HANGING HARDWARE (4 PLACES)



**MOTOR:** THREE SPEED FORWARD CURVE MOTOR/BLOWER  
 1/5 HP 115V, 60 Hz, 1 PHASE 3.0 F.L.A  
 1/5 HP 230V, 50/60 Hz, 1 PHASE 1.5 F.L.A  
 1/5 HP 277V, 60 Hz, 1 PHASE 1.2 F.L.A



**FILTER OPTIONS:** HEPA FILTER MEDIA 99.99% @ 0.3 MICRON  
 ULPA FILTER MEDIA 99.9995% @ 0.12 MICRON

UL LISTED: UL 507, 2F82 AIR FILTER, E152685

**NOTES:**

THE DEVICE DEPICTED AND DESCRIBED HEREON EMBODIES PROPRIETARY INFORMATION OWNED BY FILTRATION GROUP INC. ALL DESIGN, MANUFACTURING, REPRODUCTION, SALES, AND PATENT RIGHTS REGARDING THIS DEVICE OR DRAWING ARE RESERVED EXCEPT WHERE EXPLICIT RIGHT IS GRANTED IN WRITING.				UNLESS OTHERWISE SPECIFIED • ALL DIMENSIONS ARE IN INCHES • REMOVE ALL BURRS AND SHARP EDGES • TOLERANCES: .XXX ± .015 X/X ± 1/16 .XX ± .03 ≤ ±.5 DO NOT SCALE DRAWING				<b>FILTRATION GROUP</b> 912 E Washington St. Joliet, IL 60433 Ph (815) 726-4600 Fax (815) 726-8912						
REV	EO NO.	BY	UPCAD DATE	REV	EO NO.	BY	UPCAD DATE	REV	EO NO.	BY	UPCAD DATE	DWN	TITLE	RELEASE EC
												ENG	<b>AEROSTAR SENTINEL XL 2X2</b>	
												CHK	<b>ALL VOLTAGES</b>	
												SCALE	DRAWING NO.	SHEET
												NONE		1 OF 1