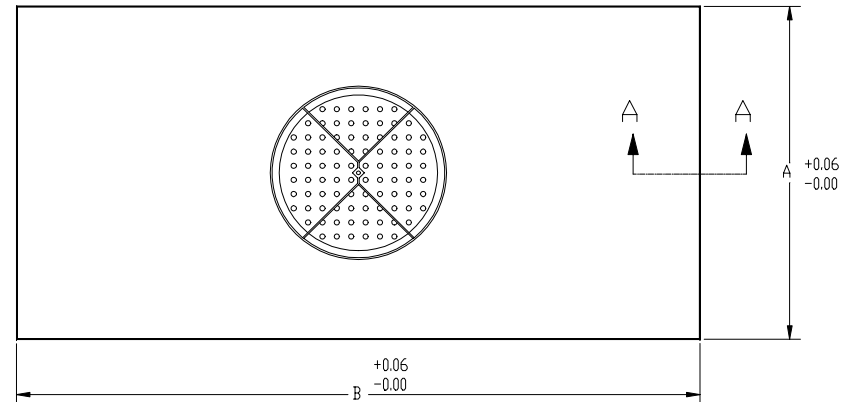
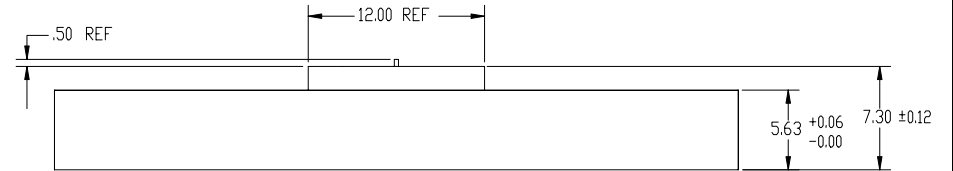


SECTION A-A

For Sales Only

Customer Information: _____

Item Number: _____



Available Options	Check If Desired
Specify number of ports desired.	
No Divider, No Test Ports	
Seismic Restraints	
Blanket, Fiberglass Insulation	
Downstream Screen in Anodized Aluminum	
Downstream Screen in Stainless Steel	
Downstream Gasket	
10" or 12" Collar, Please specify if desired.	

Characteristics	Cleanroom Filter DTM-02
Filter Media	Micro-Glass Fiber.
Pleat Separator	Continuous String or Hot Melt Glue.
Frame Material	Extruded Aluminum.
Sealant Material	Polyurethane.
Downstream Screen	White Powdered Coated.
Pleat Depth (ref.)	2".
Efficiency HEPA	99.99% min. on 0.3 micron particulate at rated flow.
Nominal Size	(Size) - (3/8")
Divider	With one test port.

For Non-Standard Sizes, Please Consult the Factory.

_____ (A) X _____ (B) X 6"(7 1/2" w/collar)

Please Specify Size as Nominal or Exact _____

Customer Initial and Date for Non-Standard Size _____


Filtration Group, Inc.
971A Industrial Dr.
Aurora, IL 60506

Cleanroom Filter

DTM-02

YOUR APPROVAL OF THIS PRINT AUTHORIZES FILTRATION GROUP, INC. TO PROCEED WITH MATERIAL PROCUREMENT, TOOLING AND PRODUCT FABRICATION. ANY CHANGES MADE AFTER APPROVAL MAY INCUR FURTHER EXPENSES TO THE CUSTOMER.

DR:	ARZ	Date:	11/24/2003	Drawing Number:	SD-DTM-02	Revision:	B
CK:		Date:					