

# DAFCO FILTRATION GROUP®

## FP-S MINI-PLEAT FILTER



- The FP-S is extremely rugged and is designed to be used in harsh environments
- Durable synthetic materials resist physical damage to the filter packs
- 100% Thermally bonded synthetic media is heat set for superior strength
- Lightweight, all plastic construction eliminates corrosion
- Integrated handle for easy transport and installation
- Extended surface and high dust holding capacity lowers filter operating costs
- UL 900 Class 1



### DESCRIPTION

**T**he Aerostar FP-S Mini-Pleat V-Bank filter is constructed with a composite of synthetic filter materials designed to create a very rugged high efficiency filter. The FP style filter is recognized worldwide as the most proven and reliable high technology air filter available, and the FP-S continues to build upon this tradition. The high impact all plastic frame perfectly complements the synthetic packs to create a very dependable, lightweight, and extremely strong filter.

### BENEFITS

The durable construction virtually eliminates the potential physical damage the filter may experience during shipping and handling. Furthermore, the rugged FP-S is designed for use in the harshest of environments, ranging from turbulent air flow to offshore applications.

The mini-pleat V-Bank design incorporates 160 square feet of media within a 24" x 24" x 12" frame. The extended surface and advanced synthetic media create a very low resistance to air flow. The low pressure drop results in lower energy cost and longer filter life. The low resistance also allows increased air flow, or higher efficiency levels without costly equipment modifications.

### APPLICATIONS

The Aerostar FP-S is designed to be used in all HVAC applications, and is specially suited for variable air volume (VAV) systems. The FP-S is designed to handle nearly all types of unusual circumstances: 100% relative humidity, turbulent air flow, intermittent exposure to water, repeated shutdown, desert and marine installations. Applications include hospital, industrial, turbine, commercial, and automotive HVAC installations.



**DAFCO FILTRATION GROUP®**

# DAFCO FILTRATION GROUP®

## FP-S MINI-PLEAT FILTER

### DIMENSIONS AND PERFORMANCE DATA

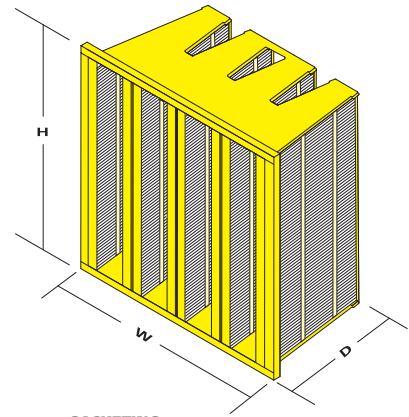
SIZE	ACTUAL FILTER DIMENSIONS (H X W X D)	APPROX. WEIGHT POUNDS	MEDIA AREA (sq. ft.)
24 X 24 X 12	23 3/8 X 23 3/8 X 11 1/2	11	160
20 X 24 X 12	19 3/8 X 23 3/8 X 11 1/2	9	135
12 X 24 X 12	11 3/8 X 23 3/8 X 11 1/2	6	80

### APPLICATION PARAMETERS

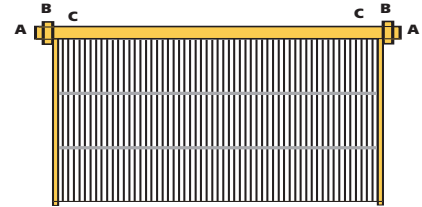
Temperature Rating Continuous Peak:	150° F
Flammability:	UL 900 Class 1 and Class 2
Media:	100% Synthetic Fiber
Relative Humidity:	Suitable for use in 100% environments
Recommended Final Pressure Drop:	1.5" w.g.

### TECHNICAL DATA

FP-S MINI-PLEAT 24X24X12	MERV 11			MERV 13			MERV 15		
Air Flow (cfm)	1500	2000	2500	1500	2000	2500	1500	2000	2500
Initial Pressure Drop ("w.g.)	.15	.23	.32	.20	.32	.46	.25	.38	.51
Average Atmospheric Efficiency (ASHRAE 52.1) @ 2000 cfm	75%			85%			95%		

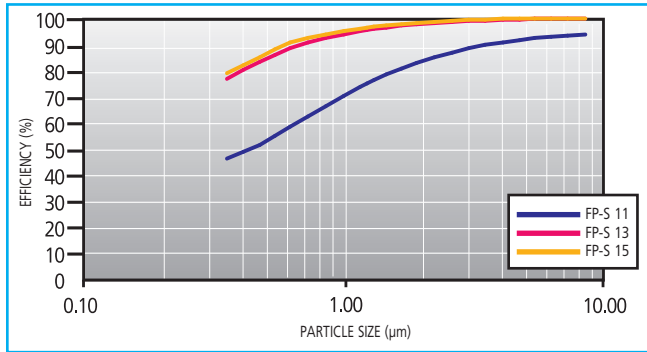


### GASKETING

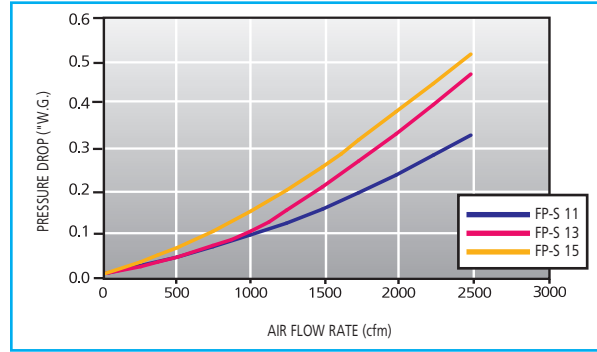


- A = SIDE OF HEADER GASKET
- B = UPSTREAM GASKET
- C = DOWNSTREAM GASKET

### FP-S SERIES (Minimum Efficiencies per ASHRAE 52.2)



### FP-SERIES PRESSURE DROP VS. AIR FLOW RATE



100% synthetic filter media  
with pleat tip stabilizers

High impact plastic frame

Molded with convenient carrying handle



© DFG 01/08



# DAFCO FILTRATION GROUP®

Phone: 1-888-628-3458  
www.dafcofiltrationgroup.com  
e-mail: info@dafcofiltrationgroup.com

