

**90-95% ASHRAE Efficiency**

Part Number	Nominal Filter Size (HxWxD)	Actual Dimensions	Rated Air Flow (cfm)			Initial Resistance			Media Area (sq. ft.)
			250 fpm	375 fpm	500 fpm	250 fpm	375 fpm	500 fpm	
16290	24x24x12	23 3/8 x 23 3/8 x 11 1/2	1000	1500	2000	0.25	0.40	0.65	125
16292	24x12x12	23 3/8 x 11 1/2 x 11 1/2	1000	1500	N/R	0.45	0.65	N/A	56

**80-85% ASHRAE Efficiency**

Part Number	Nominal Filter Size (HxWxD)	Actual Dimensions	Rated Air Flow (cfm)			Initial Resistance			Media Area (sq. ft.)
			250 fpm	375 fpm	500 fpm	250 fpm	375 fpm	500 fpm	
16274	24x24x12	23 3/8 x 23 3/8 x 11 1/2	1000	1500	2000	0.20	0.35	0.50	106
16276	24x12x12	23 3/8 x 11 1/2 x 11 1/2	1000	1500	N/R	0.35	0.55	N/A	47

**60-65% ASHRAE Efficiency**

Part Number	Nominal Filter Size (HxWxD)	Actual Dimensions	Rated Air Flow (cfm)			Initial Resistance			Media Area (sq. ft.)
			250 fpm	375 fpm	500 fpm	250 fpm	375 fpm	500 fpm	
16258	24x24x12	23 3/8 x 23 3/8 x 11 1/2	1000	1500	2000	0.15	0.25	0.45	106
16260	24x12x12	23 3/8 x 11 1/2 x 11 1/2	1000	1500	N/R	0.25	0.45	N/A	47

N/R = Not Recommended N/A = Not Applicable

Characteristics	Aerostar ASHRAE
Media	Wet laid microfiber glass paper
Frames	24 Gauge Galvanized Steel
Actual Frame Sizes	Height and Width are 5/8" under nominal and Depth is 11-1/2" for 12" nominal and 5-7/8" for 6" nominal
Gasket	Options available, Please consult Customer Service
Maximum Temperature	200°F
Recommended Final Usage	1.5 inch w.g.
Flammability	UL 900 Class 1
Shipping	Palletized is recommended

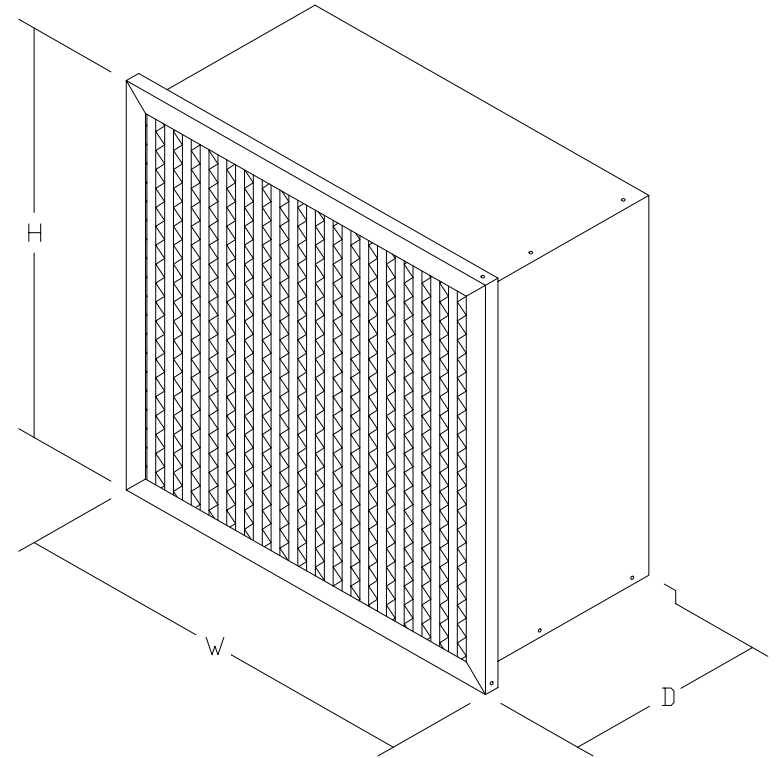
YOUR APPROVAL OF THIS PRINT AUTHORIZES FILTRATION GROUP, INC. TO PROCEED WITH MATERIAL PROCUREMENT, TOOLING AND PRODUCT FABRICATION. ANY CHANGES MADE AFTER APPROVAL MAY INCUR FURTHER EXPENSES TO THE CUSTOMER.

SD-ASHRAE

For Sales Only

Customer Information: \_\_\_\_\_

Item Number: \_\_\_\_\_



For Non-Standard Sizes, Please Consult the Factory.

\_\_\_\_\_ (A) X \_\_\_\_\_ (H) X \_\_\_\_\_ (D)

Please Specify Size as Nominal or Exact \_\_\_\_\_

Customer Initial and Date for Non-Standard Size \_\_\_\_\_



**Filtration Group, Inc.**  
**912 East Washington Street**  
**Joliet, Illinois 60433**

**ASHRAE Cell**

**Single Header Style**

DR:	AL	Date:	6/4/02	Drawing Number:	<b>SD-ASHRAE</b>	Revision:	<b>00</b>
CK:		Date:					