

90-95% ASHRAE Efficiency

| Part Number | Nominal Filter Size (HxWxD) | Actual Dimensions | Rated Air Flow (cfm) | | | Initial Resistance | | | Media Area (sq. ft.) |
|-------------|-----------------------------|--------------------------|----------------------|---------|---------|--------------------|---------|---------|----------------------|
| | | | 250 fpm | 375 fpm | 500 fpm | 250 fpm | 375 fpm | 500 fpm | |
| 16298 | 24x24x12 | 23 3/8 x 23 3/8 x 11 1/2 | 1000 | 1500 | 2000 | 0.25 | 0.40 | 0.65 | 125 |
| 16300 | 24x12x12 | 23 3/8 x 11 1/2 x 11 1/2 | 1000 | 1500 | N/R | 0.45 | 0.65 | N/A | 56 |

80-85% ASHRAE Efficiency

| Part Number | Nominal Filter Size (HxWxD) | Actual Dimensions | Rated Air Flow (cfm) | | | Initial Resistance | | | Media Area (sq. ft.) |
|-------------|-----------------------------|--------------------------|----------------------|---------|---------|--------------------|---------|---------|----------------------|
| | | | 250 fpm | 375 fpm | 500 fpm | 250 fpm | 375 fpm | 500 fpm | |
| 16282 | 24x24x12 | 23 3/8 x 23 3/8 x 11 1/2 | 1000 | 1500 | 2000 | 0.20 | 0.35 | 0.50 | 106 |
| 16284 | 24x12x12 | 23 3/8 x 11 1/2 x 11 1/2 | 1000 | 1500 | N/R | 0.35 | 0.55 | N/A | 47 |

60-65% ASHRAE Efficiency

| Part Number | Nominal Filter Size (HxWxD) | Actual Dimensions | Rated Air Flow (cfm) | | | Initial Resistance | | | Media Area (sq. ft.) |
|-------------|-----------------------------|--------------------------|----------------------|---------|---------|--------------------|---------|---------|----------------------|
| | | | 250 fpm | 375 fpm | 500 fpm | 250 fpm | 375 fpm | 500 fpm | |
| 16266 | 24x24x12 | 23 3/8 x 23 3/8 x 11 1/2 | 1000 | 1500 | 2000 | 0.15 | 0.25 | 0.45 | 106 |
| 16268 | 24x12x12 | 23 3/8 x 11 1/2 x 11 1/2 | 1000 | 1500 | N/R | 0.25 | 0.45 | N/A | 47 |

N/R = Not Recommended N/A = Not Applicable

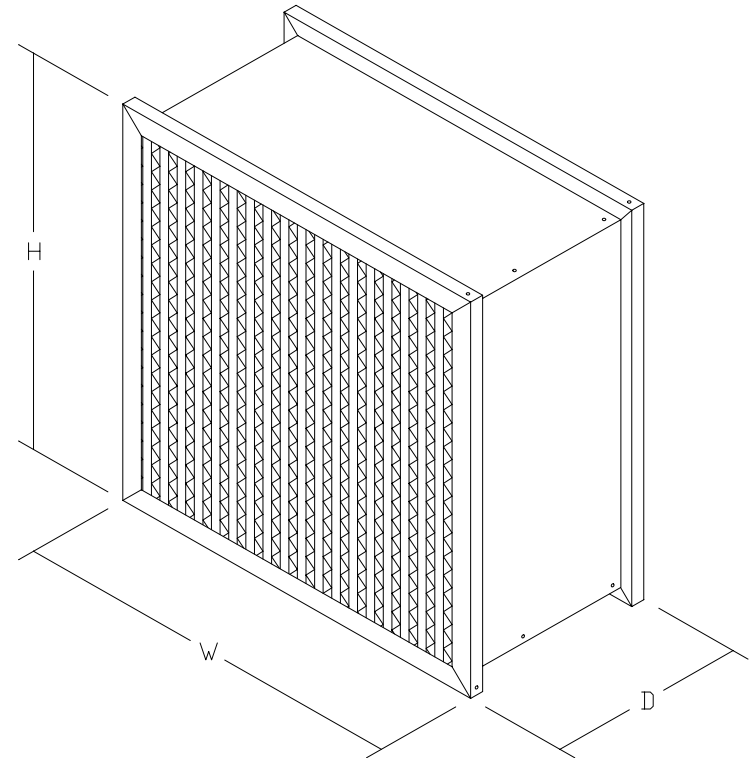
| Characteristics | Aerostar ASHRAE |
|-------------------------|---|
| Media | Wet laid microfiber glass paper |
| Frames | 26 Gauge Galvanized Steel |
| Actual Frame Sizes | Height and Width are 5/8" under nominal and Depth is 11-1/2" for 12" nominal and 5-7/8" for 6" nominal |
| Gasket | Options available, Please consult Customer Service |
| Maximum Temperature | 200°F |
| Recommended Final Usage | 1.5 inch w.g. |
| Flammability | UL 900 Class 1 |
| Shipping | Palletized is recommended |

YOUR APPROVAL OF THIS PRINT AUTHORIZES FILTRATION GROUP, INC. TO PROCEED WITH MATERIAL PROCUREMENT, TOOLING AND PRODUCT FABRICATION. ANY CHANGES MADE AFTER APPROVAL MAY INCUR FURTHER EXPENSES TO THE CUSTOMER.

For Sales Only

Customer Information: _____

Item Number: _____



For Non-Standard Sizes, Please Consult the Factory.

_____ (A) X _____ (H) X _____ (D)

Please Specify Size as Nominal or Exact _____

Customer Initial and Date for Non-Standard Size _____



Filtration Group, Inc.
912 East Washington Street
Joliet, Illinois 60433

ASHRAE Cell

Double Header Style

| | | | | | | | |
|-----|-----|-------|--------|----------------------|--|-----------|--|
| DR: | JMB | Date: | 9/2/03 | Drawing Number: | | Revision: | |
| CK: | | Date: | | SD-ASHRAE-DBL | | A | |