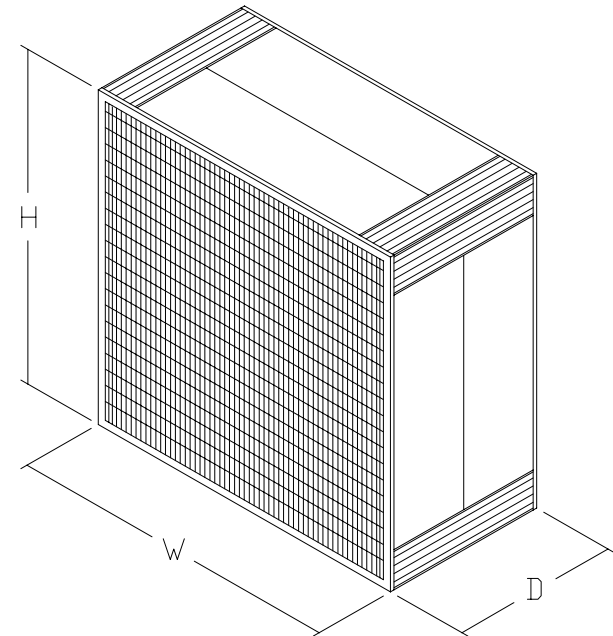


DOP Efficiency @ .3 micron	99.97%		99.99%	
Scanned	NO		YES	
Size	24 x 24	23 3/8 x 23 3/8	24 x 24	23 3/8 x 23 3/8
Part #	<b>41779</b>	<b>41768</b>	<b>41781</b>	<b>41780</b>
Rated Air Flow (cfm)	2000	1890	2000	1890
Media Pack Depth (in)	8	8	8	8
Rated Initial Pressure Drop ("w.g.)	1.45	1.45	1.45	1.45
Recommended Final Pressure Drop ("w.g.)	2.4	2.4	2.4	2.4
Maximum Final Pressure Drop ("w.g.)	3	3	3	3
Maximum Continuous Temperature (°F)	180	180	180	180

For Sales Only

Customer Information: \_\_\_\_\_

Item Number: \_\_\_\_\_



Characteristics	Aerostar HIGH VOLUME HEPA
Media	Wet laid microglass
Frames	Anodized Extruded Aluminum Frame
Clips	Extraction Clips Optional
Gasket	Urethane Gel Seal
Separators	Hot Melt Bead
Pack Adhesive	Polyurethane
Actual Filter Dimensions	Made to exact dimensions, please consult customer service

For Non-Standard Sizes, Please Consult the Factory.

\_\_\_\_\_ (H) X \_\_\_\_\_ (W) X \_\_\_\_\_ 11-1/2" (D)

Please Specify Size as Nominal or Exact \_\_\_\_\_

Customer Initial and Date for Non-Standard Size \_\_\_\_\_


**Filtration Group, Inc.**  
**912 East Washington Street**  
**Joliet, Illinois 60433**

**HEPA HP Filters**

**Extruded Aluminum Frame**

YOUR APPROVAL OF THIS PRINT AUTHORIZES FILTRATION GROUP, INC. TO PROCEED WITH MATERIAL PROCUREMENT, TOOLING AND PRODUCT FABRICATION. ANY CHANGES MADE AFTER APPROVAL MAY INCUR FURTHER EXPENSES TO THE CUSTOMER.

DR:	BAP	Date:	10/27/2005	Drawing Number:	<b>SD-HEPA-MP-GEL</b>	Revision:	<b>A</b>
CK:		Date:					